



**DEEP CYCLE**  
**SERIES: 5000**  
**MODEL: 4 CS 17P**

**BATTERY ENGINEERING**  
**WWW.ROLLSBATTERY.COM MADE IN CANADA**

**BATTERY TYPE: 4 VOLTS**

**DIMENSIONS:**

**LENGTH** 365 MM 14 3/8 INCHES  
**WIDTH** 210 MM 8 1/4 INCHES  
**HEIGHT** 464 MM 18 1/4 INCHES

**WEIGHTS:**

**WEIGHT DRY** 44 KG 98 LBS.  
**WEIGHT WET** 58 KG 128 LBS.

**CONTAINER CONSTRUCTION:**

**CONTAINER: (INNER)** POLYPROPYLENE **TERMINALS:** FLAG WITH STAINLESS STEEL NUTS AND BOLTS  
**COVER: (INNER)** POLYPROPYLENE - HEAT SEALED TO INNER CONTAINER  
**CONTAINER: (OUTER)** HIGH DENSITY POLYETHYLENE **HANDLES:** ROPE  
**COVER: (OUTER)** HIGH DENSITY POLYETHYLENE SNAP FIT TO OUTER CONTAINER

**PLATES:**

**POSITIVE PLATE DIMENSION:**  
**HEIGHT** 273 MM 10.750 INCHES  
**WIDTH** 143 MM 5.625 INCHES  
**THICKNESS** 6.73 MM 0.265 INCHES

**CELLS:** 2 **PLATES/CELL:** 17  
 POSITIVE PLATE DOUBLE WRAPPED WITH SLYVER  
 ENVELOPED WITH HEAVY DUTY SEPARATOR

**NEGATIVE PLATE DIMENSION:**  
**HEIGHT** 273 MM 10.750 INCHES  
**WIDTH** 143 MM 5.625 INCHES  
**THICKNESS** 4.70 MM 0.185 INCHES

**SEPARATOR:**  
**THICKNESS** 3 MM 0.105 INCHES  
**INSULATION:**  
**GLASS MAT** 1 MM 0.020 INCHES

**CAPACITY:**

**CRANK AMPS:**  
**COLD (CCA)** 0°F / -17.8°C 1357  
**MARINE (MCA)** 32°F / 0°C 1696

**ELECTROLYTE RESERVE:**  
**ABOVE PLATES** 95 MM 3.75 INCHES

**RESERVE CAPACITY:**  
**RC @ 25A** 1083 MINUTES

**20 HR RATE: 546**

	<b>HOUR RATE</b>	<b>SPECIFIC GRAVITY</b>	<b>CAP / AH</b>	<b>CURRENT / AMPS</b>
CAPACITY @	100 HOUR RATE	1.280 SP. GR.	770	7.70
CAPACITY @	72 HOUR RATE	1.280 SP. GR.	726	10.09
CAPACITY @	50 HOUR RATE	1.280 SP. GR.	672	13.43
CAPACITY @	24 HOUR RATE	1.280 SP. GR.	568	23.7
<b>CAPACITY @</b>	<b>20 HOUR RATE</b>	<b>1.280 SP. GR.</b>	<b>546</b>	<b>27.3</b>
CAPACITY @	15 HOUR RATE	1.280 SP. GR.	508	33.9
CAPACITY @	12 HOUR RATE	1.280 SP. GR.	475	39.6
CAPACITY @	10 HOUR RATE	1.280 SP. GR.	453	45.3
CAPACITY @	8 HOUR RATE	1.280 SP. GR.	426	53.2
CAPACITY @	6 HOUR RATE	1.280 SP. GR.	388	64.6
CAPACITY @	5 HOUR RATE	1.280 SP. GR.	366	73
CAPACITY @	4 HOUR RATE	1.280 SP. GR.	339	85
CAPACITY @	3 HOUR RATE	1.280 SP. GR.	306	102
CAPACITY @	2 HOUR RATE	1.280 SP. GR.	262	131
CAPACITY @	1 HOUR RATE	1.280 SP. GR.	186	186



1 STATION RD SPRINGHILL, NOVA SCOTIA CANADA B0M 1X0 1.800.681.9914

REV.2  
 Jan-10  
 4 CS 17P

PART NUMBER: 4-CS-17P

WEIGHT WET: 128 LB / 58 KG

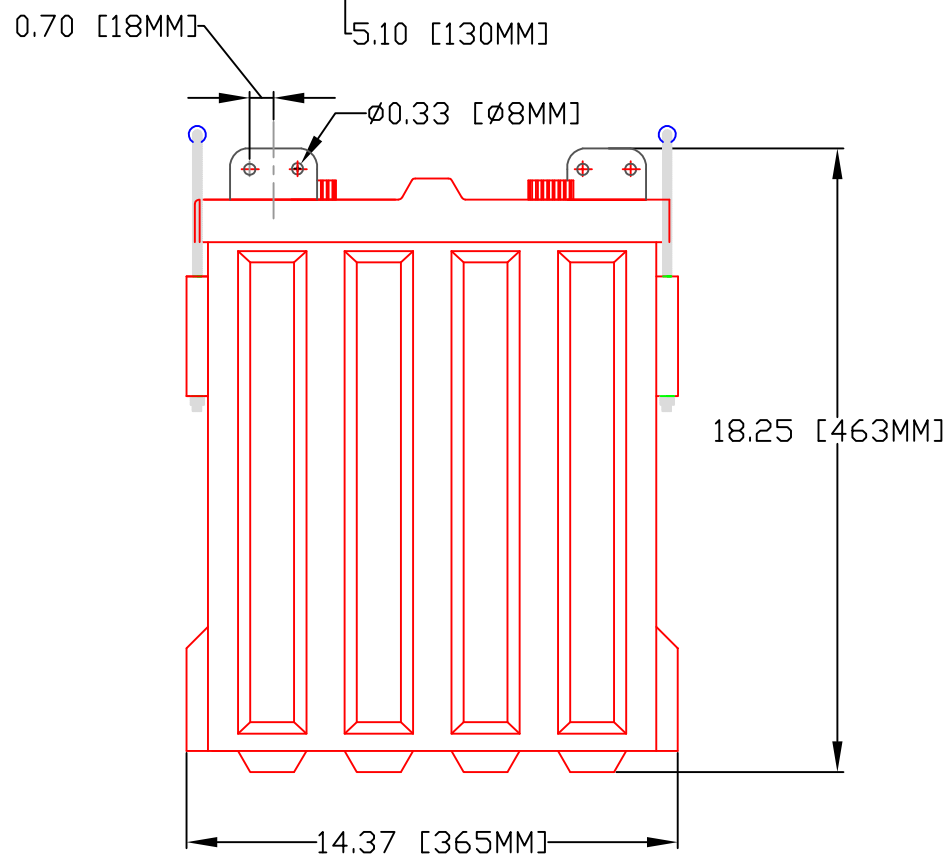
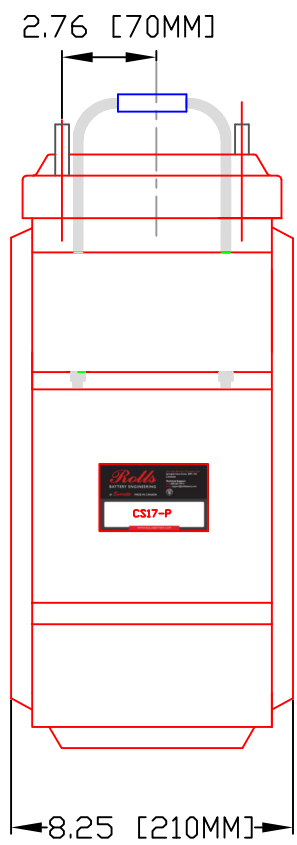
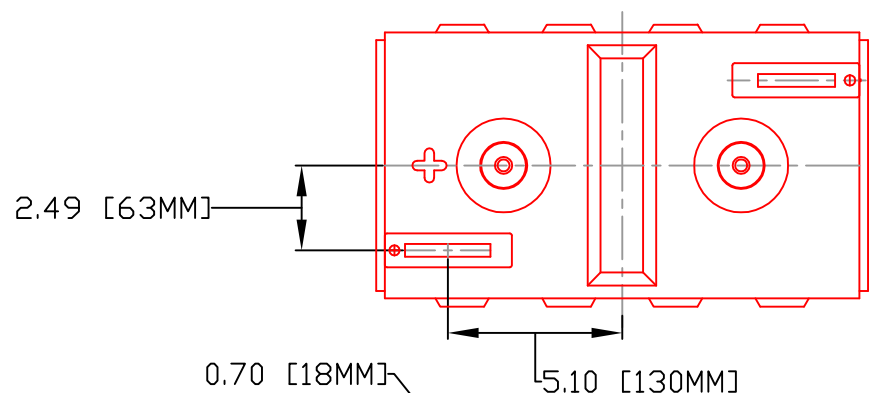
WEIGHT DRY: 98 LB / 44 KG

CAPACITY: 546 AH 20 HR

VOLTAGE: 4 V

OVERALL DIMENSIONS: 14<sup>3</sup>/<sub>8</sub>" X 8<sup>1</sup>/<sub>4</sub>" X 18<sup>1</sup>/<sub>4</sub>"

MAX HEIGHT WITH OPTIONAL HYDROCAPS: 18.63" / 473MM



TITLE: 4CS17P

DESCRIPTION: 4V / 2 CELL 17 PLATE (CS) DEEP CYCLE

CONTACT INFO:  
WEB: WWW.ROLLSBATTERY.COM  
E-MAIL: SALES@ROLLSBATTERY.COM  
PHONE: 1-800-681-9914

SCALE: 1" = 6" 8.5" X 11"    1" = 4" 11" X 17"    JPEG: NOT TO SCALE

Drawn by: S. WILES    Approved By: D. SURRETTE

DATE: JAN-2010    REVISION 2.0

DRAWING NO.: DWG 027, BD4CS17P