



S6-460AGM 6V 415Ah (C20)

CONSTANT CURRENT DISCHARGE (AMPS)

| CUT OFF VOLTAGE V/CELL | 30M | 45M | 1H | 2H | 3H | 5H | 8H | 10H | 12H | 20H | 24H |
|------------------------|-------|-------|-------|-------|------|------|------|------|------|------|------|
| 1.75V | 386.6 | 285.0 | 231.5 | 123.4 | 93.9 | 65.9 | 45.1 | 37.4 | 31.8 | 20.8 | 17.4 |

RESERVE CAPACITY

| @25AMPS | @75AMPS |
|-------------|-------------|
| 885 Minutes | 229 Minutes |

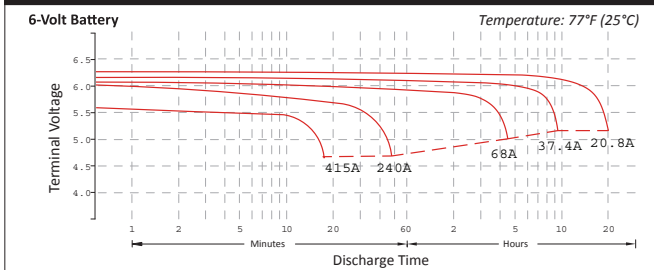
SPECIFICATIONS

| | | |
|-------------------------------|-------------------------------|--------|
| Nominal Voltage | | 6 Volt |
| Rated Capacity (20 Hour Rate) | | 415AH |
| DIMENSIONS | Total Height (inc. Terminals) | 424mm |
| | Height | 404mm |
| | Length | 295mm |
| | Width | 179mm |
| Weight | | 56.0Kg |

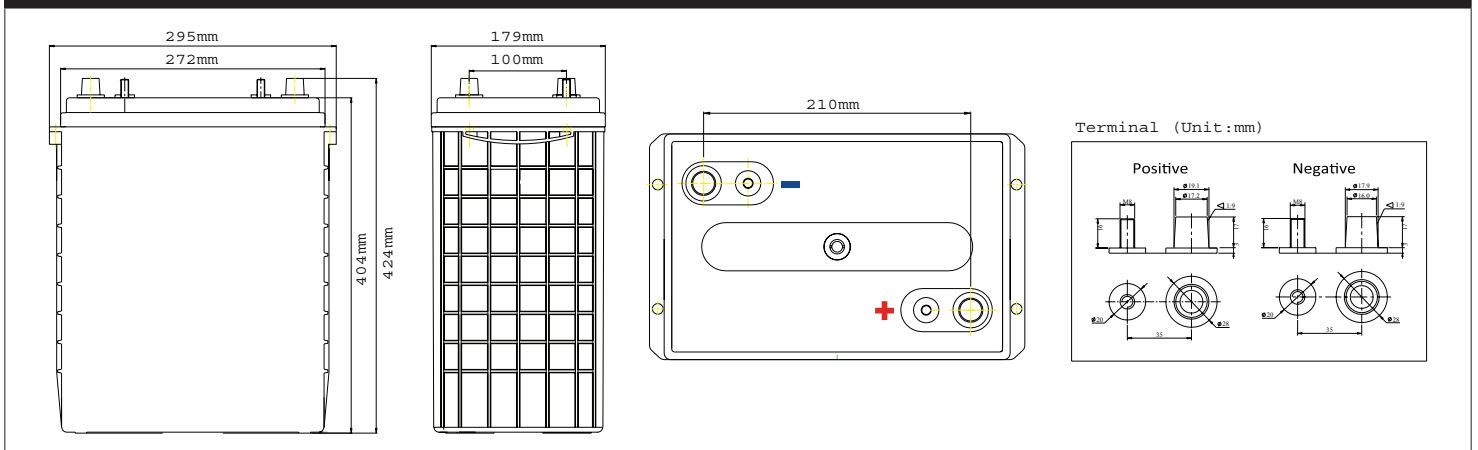
CHARACTERISTICS

| | | |
|--|------------------------------------|--|
| Capacity 25°C (77°F) | 20 Hour Rate (20.8A to 5.25 Volts) | 415AH |
| | 10 Hour Rate (37.4A to 5.25 Volts) | 374AH |
| | 5 Hour Rate (68A to 5.1 Volts) | 340AH |
| Internal Resistance | Full Charged Battery 25°C (77°F) | 1.6mΩ |
| Capacity Affected by Temperature (20 Hour Rate) | 40°C (104°F) | 102% |
| | 25°C (77°F) | 100% |
| | 0°C (32°F) | 85% |
| | -15°C (5°F) | 65% |
| Self-Discharge 25°C (77°F) | Capacity after 3 Month Storage | 91% |
| | Capacity after 6 Month Storage | 82% |
| | Capacity after 12 Month Storage | 64% |
| Max. Discharge Current 25°C (77°F) | 2000A (5s) | |
| Terminal | Standard | DT |
| Charging (Constant Voltage) | Cycle | Initial Charging Current ≤ 0.2 x C20 7.25V ~ 7.45V/25°C(77°F) |
| | Float | 6.8V ~ 6.9V/25°C(77°F) |

DISCHARGE CHARACTERISTICS



SIZE & DETAILED ILLUSTRATION



This information is generally descriptive only and is not intended to make or imply any representation, guarantee or warranty with respect to any cells and batteries. Cell and battery designs/specifications are subject to modifications without notice. Contact Rolls Battery for the latest information.

